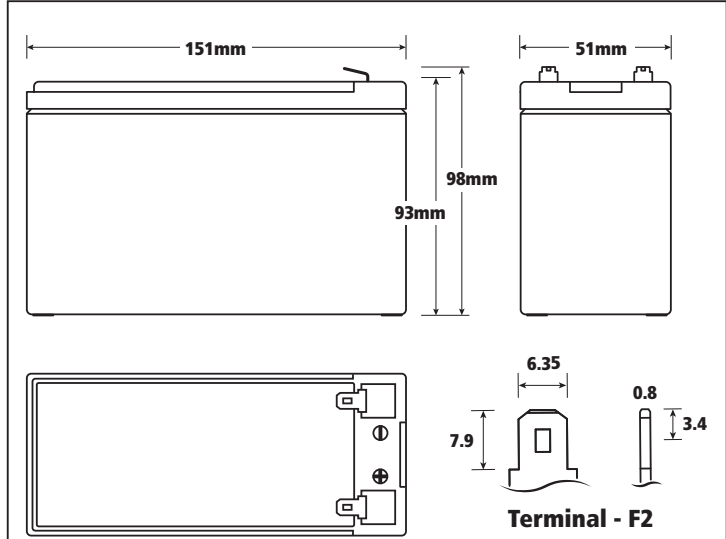


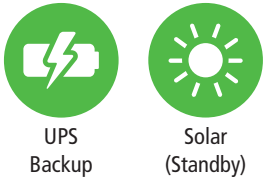
DURACELL® SLA High Rate

ULTRA

DURHR12-6.5FR



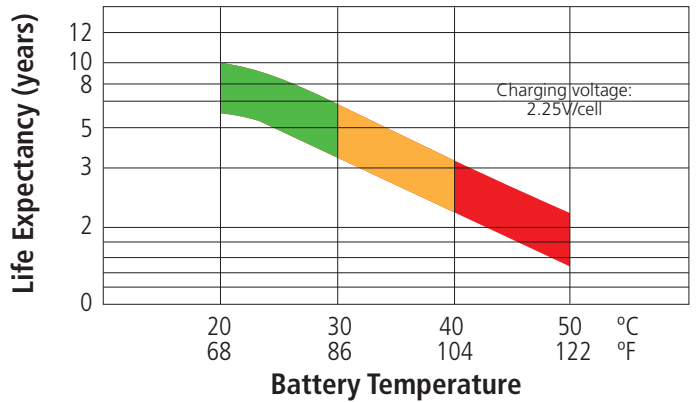
Applications



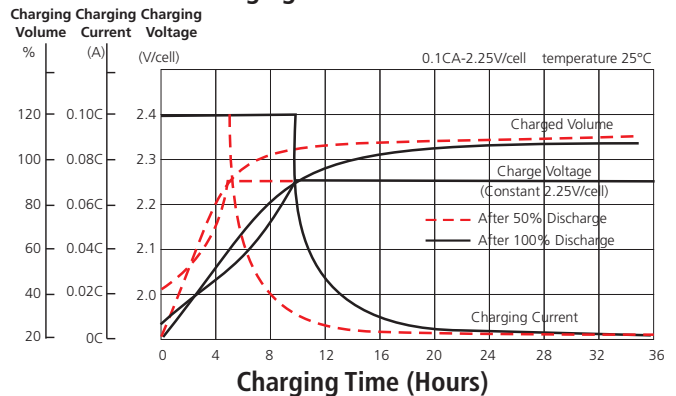
Specifications

Nominal Voltage	12 volts (6 cells)
Watts per Cell (15 min)	1.67V/cell) 20.5
Nominal Capacity	
20hr. (325 mA to 10.8 volts)	6.50 Ah
10hr. (605 mA to 10.8 volts)	6.05 Ah
5hr. (1,110 mA to 10.5 volts)	5.55 Ah
1hr. (4,080 mA to 9.6 volts)	4.08 Ah
15min. (12,600 mA to 9.6 volts)	3.15 Ah
Approximate Weight	4.19 lbs. (1.90 kg)
Specific Energy (20hr rate)	18.62 W-h/lb
Internal Resistance (approx)	19mΩ
Max Short-Duration Discharge Current (5sec.)	97.5A
Float Design Life (68°F (20°C))	Up to 10 years
	Commercial Application 3-5 years (Refer to graph "Effect of Temperature on Long Term Float Design Life")
Shelf Life (% of nominal capacity at 68°F (20°C))	
1 Month	97%
3 Months	91%
6 Months	83%
Operating Temperature Range	
Charge	32°F (0°C) to 104°F (40.0°C)
Discharge	5°F (-15°C) to 122°F (50.0°C)
Case	Flame Retardant ABS Plastic

Effect of Temperature on Long Term Float Life



Charging Characteristics



Visit www.batteriesplus.com for warranty information

WARNING: Cancer and Reproductive Harm - www.P65Warnings.ca.gov.

Duracell is a registered trademark of Duracell U.S. Operations, Inc., used under license. All rights reserved.



Batteries + Bulbs